



NISSAN COMMERCIAL INCENTIVE PROGRAM AND EQUIPMENT



TS/ISO Registered



ADRIAN STEEL®

Cargo Management Solutions for Commercial Vehicles



NISSAN COMMERCIAL INCENTIVE PROGRAM

IF YOU ARE LOOKING FOR EQUIPMENT TO ORGANIZE YOUR NEW NISSAN NV, YOU HAVE COME TO THE RIGHT PLACE.

Adrian Steel has all the storage products you need to make your Nissan NV organized and efficient. The Nissan offering features an upfit incentive that allows you to get a Nissan NV equipped with Adrian Steel base upfit packages at no charge, or upgraded upfit packages at a reduced cost. Take advantage of the Nissan Commercial Incentive Program outlined below to get the equipment you need at no charge!



NISSAN AND ADRIAN STEEL ARE COMMITTED BUSINESS PARTNERS AND THEY HAVE TEAMED UP TO OFFER YOU THE COMMERCIAL STORAGE PRODUCTS NECESSARY TO GROW YOUR BUSINESS.

The Nissan Commercial Incentive Program offers qualified commercial customers substantial benefits, including your choice of one of the following packages:

No Charge Cargo Management System* - this package includes:

- A cargo partition and three 44" shelving units from the Adrian Steel ADseries.
- This package is available on either high roof or standard roof models.

No Charge Utility Package* - this package includes:

- A cargo partition and a 3 Bar utility rack for standard roof models.
- A cargo partition and an interior Ladder Keeper for high roof models.

Additional details on the commercial storage offerings above can be found on pages 4 and 5.

For the latest information on the Nissan Commercial Incentive Program, please contact your Nissan Commercial Vehicle Dealer.

THE NISSAN NV AND ADSERIES SHELVING ARE DESIGNED TO WORK TOGETHER.



Exclusively from Adrian Steel, the ADseries adjustable shelving platform is the next generation of cargo management solutions, engineered to optimize the storage and accessibility of your Nissan NV.

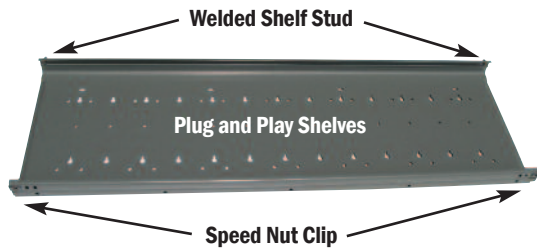
ADVANCED DESIGN

Stamped steel end panels and shelves, ADseries components are strong, durable and ready to work hard. 6" knock out provides a 48" floor space to accommodate 4'x8' sheet goods (up to 22 sheets of 1/4" drywall or a combination of thicknesses). Nissan NV end panels provide 38 3/4" between the panels from the top to bottom maximizing aisle space.

ADJUSTABLE SHELVES

Tools, equipment and cargo come in all shapes and sizes and until now, there hasn't been a shelving unit that is truly adjustable. The ADseries is the first of its kind where, with only a screwdriver, you can simply remove the front shelf bolts and move the shelf where you need it. Shelves can be adjusted in one inch increments and provide the most flexible shelving solution available. The ADseries is 50" high by 14" deep and comes in lengths of 26", 32", 44" and 50" wide.

ADseries Shelf Unit	Dimensions
AD26LCV	26"W x 50"H x 14"D
AD32LCV	32"W x 50"H x 14"D
AD44LCV	44"W x 50"H x 14"D
AD50LCV	50"W x 50"H x 14"D

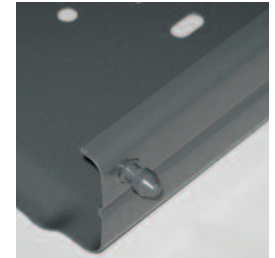


ADAPTABLE INTERIOR

Everyone likes to set their work van up their own way. The new ADseries shelving lets you position the shelving where you need it. Exclusive to the ADseries, the unique rail system enables you to reposition the shelving in the van, increasing the available space for trade specific equipment. All of this is done without removing bolts, plugging holes and redrilling the van!

ADD ACCESSORIES

Businesses change over time and your van interior should be able to change with your needs. Plug and Play shelves have prepunched holes that allow adding storage solutions easily! ADseries dividers simply snap in place, drawer units simply bolt in and door kits can be added to lock your more valuable parts and equipment. Many Adrian Steel accessories can be added to the ADseries shelving with the rail adapter kits and end panel brackets.



Truly Adjustable Shelves All you need is a phillips screwdriver! Simply remove two bolts from the speed nut clips at the front of the shelf, tilt the shelf upwards, move the shelf to your desired location, insert the rear shelf studs, reattach the bolts and you're done!

Rear Shelf Studs unique design lock shelves in place!



NISSAN COMMERCIAL INCENTIVE PROGRAM

NV LINEUP - STANDARD ROOF OFFERINGS

NO CHARGE!

Cargo Management System #4484

Standard Roof

MSRP value of \$2160



Your NV will be ready for business with ADseries adjustable shelving units, a four hook bar and a cargo partition. Add drawers, door kits and trade specific equipment to fit your particular business needs. See our BASEPLUS Packages on pgs. 10-11.

Base Cargo Management System: 4484 Standard Roof

Item	Model	Description	Qty.
1	S1M2C2FSV	Partition	1
2	AD44LCV	ADseries shelving Unit	3
3	TA1WAD	Four Hook Bar	1
4	WKC1LCVS	Partition wing kit - std roof	1
5	RKLCV	Rail Kit	1

Utility Package #4485

Standard Roof

MSRP value of \$1650

NO CHARGE!



Safely transport ladders, conduit, sheet goods and more on the roof of your NV with a Utility Rack. A cargo partition inside keeps your cargo in the back and helps with cab climate control. Bolt on partition accessories allow for easy access and organization.



Utility Package: 4485 Standard Roof

Item	Model	Description	Qty.
1	S1M2C2FSV	Partition	1
2	3BNLCV-W	3 Bar Utility Rack	1
3	WKC1LCVS	Partition wing kit - std roof	1

NISSAN COMMERCIAL INCENTIVE PROGRAM

NV LINEUP - HIGH ROOF OFFERINGS



NO CHARGE!

Cargo Management System #4519

High Roof

MSRP value of \$2270

Organize your high roof NV with ADseries adjustable shelving units, a four hook bar and a cargo partition. Add drawers, door kits and trade specific equipment to fit your particular business needs. See our BASEPLUS Packages on pgs. 10-11.

Base Cargo Management System:
4519 High Roof

Item	Model	Description	Qty.
1	S1M2C2FSV	Partition	1
2	AD44LCV	ADseries shelving Unit	3
3	TA1WAD	Four Hook Bar	1
4	WKC1LCVH	Partition wing kit - high roof	1
5	RKLCV	Rail Kit	1



See the Ladder Keeper in action on page 9.



NO CHARGE!

Utility Package #4520

High Roof

MSRP value of \$1860

Keep ladders out of the elements and out of the way with an interior ladder rack. Store up to an 6 ft. step ladder inside your high roof NV. A full height cargo partition keeps your cargo in the back and helps with cab climate control. Bolt on partition accessories allow for easy access and organization.

Utility Package:
4520 High Roof

Item	Model	Description	Qty.
1	S1M2C2FSV	Partition	1
2	LKLCV	Ladder Keeper	1
3	WKC1LCVH	Partition wing kit - high roof	1



NISSAN COMMERCIAL INCENTIVE PROGRAM

PROGRAM ACCESSORIES



Freon Tank Holder
TH51FP
MSRP*: \$313.00

- Accommodates a combination of any three 30 or 50 lb tanks
- Straps secure tanks for safe transportation



Literature Rack
CB5
MSRP*: \$123.25

- 2.5" deep pockets organize manuals, catalogs, invoices and more.
- 12"W, 24"H, 2.5"D



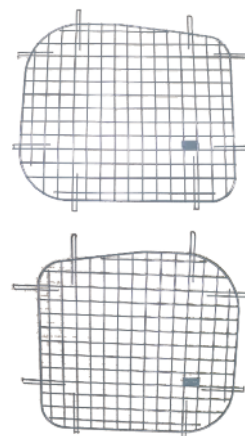
Wire Reel Holder
WRH5
MSRP*: \$71.90

- Organize wire spools up to 6" in diameter
- Easy to access through side or rear doors.
- 12"W, 25"H, 4"D



Max Comfort Wings
WKC1LCVS3 - std roof
WKC1LCVH3 - high roof
MSRP*: \$79.95

- Gain 3" of extra leg room with a Max Comfort Wing Package Upgrade! (Reduces cargo area by 3".)



Window Screens
60-NRD - Rear Door Kit
MSRP*: \$124.70
60-NSDRD - Side & Rear Door Kit
MSRP*: \$249.40

- Adds security to cargo area windows



Locking Door Kits
10" Door Kit DK4210 MSRP*: \$92.75
8" Door Kit DK4208 MSRP*: \$84.95

- Simply bolts on to transform a shelf into a locking cabinet.
- Safely lock expensive cargo out of sight.
- Features a recessed, locking T-handle.



Aluminum Conduit Carrier
10'6" Carrier #80-1 MSRP*: \$471.35
12'6" Carrier #80-2 MSRP*: \$504.75

- Transport conduit safely on top of your standard roof Nissan NV.
- Features a lift-up door for easy access
- Lockable swivel closure for added security



Four Hook Bar
TA1WAD
MSRP*: \$45.75

- Mounts to shelving end panels for easy access to power cords, cables and tools from the side or rear doors
- Perfect for organizing cargo that is used frequently



Molded Parts Storage Bins
These plastic storage bins lock into place along a rail and are easy to remove to take to the work site.

- BR36212 MSRP*: \$130.50**
 - Three 6" and two 12" removable plastic bins.
- BR76012 MSRP*: \$142.95**
 - Seven 6" removable plastic bins.



Partition Door Kit
PDK1
MSRP*: \$73.50

- Create a hinged door on any standard partition for accessibility between cab and cargo areas.
- Includes key-locking slam latch, 2 hinges and bulb seal for noise reduction.



LoadsRite Drop-Down Ladder Rack Upgrade
4691 MSRP*: \$548.70

Substitute the LoadsRite drop-down Ladder Rack for the 3-Bar Utility Rack in package #4485 for the upgrade price of \$548.70.

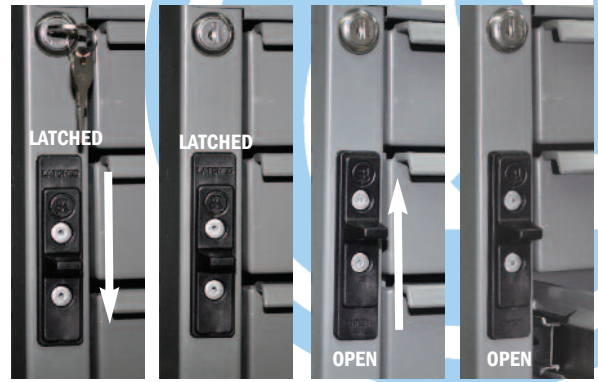
LoadsRite Features:

- Allows access to doors while in the up or down position.
- Lowers to present ladder at a convenient position.
- There are no straps to deal with, clamping of ladder is automatic.
- Hydraulic speed damper gently lowers ladder bed.
- Ladders can be pad-locked for security.

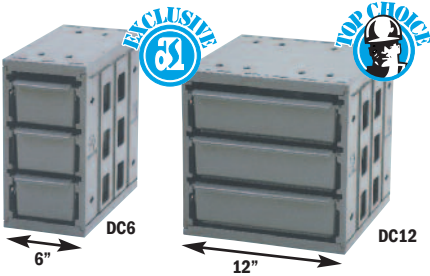
ADDITIONAL ACCESSORIES

Drawer Units - Lock 'n Latch System

- Our exclusive Lock 'n Latch system provides a choice of drawers open, drawers retained or drawers locked position.
- Steel outer cabinet measures 18"W x 12"H x 12"L.
- Drawers are made of an engineered composite material for durability with heavy-duty drawer glides for support and smooth drawer operation.
- Drawers and glides can be repositioned within cabinet for increased flexibility.
- 2-1/2" deep drawers come with ABS divided and removable trays, perfect for small parts
- Divide 5" deep drawers using optional metal "egg crate" dividers.
- Optional Fitted Foam Kits cover side and bottom of 5" drawers.



Latched & Locked Latched & Unlocked Drawers Unlatched Drawers Open



Drawer Components

- Organize small parts with our flexible and rugged composite Drawer Components.
- Drawer retention stops prevent drawers from opening while the vehicle is in transit.
- The interlocking feature allows you to add multiple units vertically or horizontally.
- Made of a hi-impact polymer for a quiet operation.
- Each drawer comes with 2 dividers and 7 divider slots.
- Choose from Adrian Steel's pre-configured drawer systems or create your own drawer system.



Hooks

- Mount to end panels or partition for easy access.
- Requires BRK14EPS bracket.



Aerosol Can Tray

- Secures aerosol cans for easy access.
- Mounts to shelving end panels.

Model	Description
ACT3	3 Can Tray 11-3/4" W, 6-3/4"H, 4" D
ACT4	4 Can Tray 15-7/16" W, 6-3/4"H, 4" D



KDRH1444 End Panel Reel Holder

- Bar mounts between shelf end panels for easy access to spools of cable and wire.

Model	Description
KDRH1426	Fits AD26LCV
KDRH1432	Fits AD32LCV
KDRH1444	Fits AD44LCV
KDRH1450	Fits AD50LCV



Cabinet Lockers

Lockers feature a 46" high storage space with removable shelves.

Model	Description & Cabinet Size
CL1446R	Cabinet Locker Full Door 18"W x 46"H x 14"D
CL1446D	Cabinet Locker Short Door 18"W x 46"H x 14"D



17A Six Shelf Catalog File

- Designed to store a variety of materials
- 3" shelf spacings
- Overall size: 11" W, 24" H, 12" D.



43 Three Shelf Catalog File

- Fits in narrow spaces
- Has three declined shelves
- Overall size: 6" W, 34" H, 12" D.

ADseries Brackets

RKA1 - Rail Adapter Kit 1

Use with: CB2, CB3, CB4 (uses 2)

RKA3 - Rail Adapter Kit 3

Use with: #1, #12, #2, #8, DC Units, 17A, CRH2, TA19, TA5

RKA4 - Rail Adapter Kit 4

Use with: CL1446D/R, #40, KDRH2, KD Shelving Units, #33, #3, #33W, JD Shelving

BRK14EPS - Accessory Attachment Bracket

Use with: 17A, CB5, 43, TA19, TA20, WRH5, UH10/25/50, PA9, PA8, ACT3/4, PA11, AGSCH2, PA7, TH30, TH50, TA5

RKABRK1 - Rail Kit Adapter & 1 Bracket

Use with TA19, TA20, TA5

RKABRK2 - Rail Kit Adapter & 2 Brackets

Use with 17A

RKA919 - Rail Kit Adapter

Use with drawer units 9, 19, 919

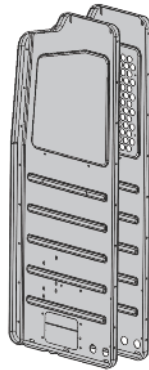
PARTITIONS

ADRIAN STEEL PARTITIONS KEEP CARGO WHERE IT BELONGS, IN THE CARGO AREA!

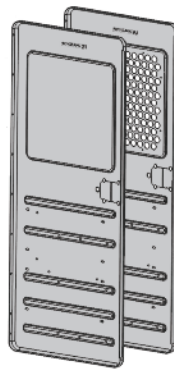
Stamped steel partitions are available for the standard and high roof Nissan NV vans. The perforated panels allow for side and rear visibility, while increasing cab area climate control. Easily attach safety and storage accessories to organize equipment at easy reach.



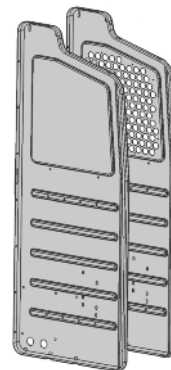
Shown:
S1M2C2FSV
High roof partition
with **WKC1LCVH**
wing kit.



S1 Solid
S2 Perforated Top
Panels mount
behind driver seat.



M1 Solid
M2 Perforated Top
Fixed center
panels can be
hinged with PDK1



C1 Solid
C2 Perforated top
Panels mount
behind
passenger seat.

Panel Kit Part Number

Fixed Center Panel

SOLID PANELS
S1M1C1FSV

CENTER PANEL PERF. TOP ONLY
S1M2C1FSV

PERF. CENTER & CURB PANELS
S1M2C2FSV

ALL PANELS PERFORATED
S2M2C2FSV

Hinged Center Panel "Door"

SOLID PANELS
S1M1HC1FSV

CENTER PANEL PERF. TOP ONLY
S1M2HC1FSV

PERF. CENTER & CURB PANELS
S1M2HC2FSV

ALL THREE PANELS PERFORATED
S2M2HC2FSV

Wing Kits

STANDARD ROOF

WKC1LCVS - MAX CARGO

WKC1LCVS3 - MAX COMFORT

HIGH ROOF

WKC1LCVH - MAX CARGO

WKC1LCVH3 - MAX COMFORT

Max Comfort Wing Kit

Partition setback allows for 3" of additional front seat adjustability for more cab and leg room. (Reduces cargo space by 3".)



Adrian's accessories fully utilize your partition space:



CB2 Two Book File is 6-1/4" wide with hinged retaining strap. Holds folders, binders and manuals.
Overall size: 6"W, 14"H, 12"D.

PA7 Triangle Reflector Kit with a metal pocket holder, I.C.C. approved.

PA8 1-A: 10-BC Fire Extinguisher 2-1/2 lb. rechargeable dry chemical extinguisher. Includes charge gauge and mounting bracket.



PA10 Practice Holder Partition-mounted holder for manuals and papers.
Overall size: 12" W, 7" H, 5" D.

PDK1 Partition Door Kit Creates a hinged door on any standard partition



PA9 First Aid Box Tray secures first aid box to partition or other vertical surface.
Overall size: 9"W, 3-1/2"H, 3"D.



TH30, TH50 Refrigerant Tank Holders holds 30 or 50 lb tank to partition or other vertical surface.

LADDER RACKS

LOADING LADDERS JUST GOT DOWN RIGHT EASY.

Adrian's LOADSRITE Ladder Racks easily raise and lower to eliminate the need to climb, stretch or reach for your ladder on top of your van. The unique design of the LOADSRITE presents the ladder in a diagonal position bringing it to a comfortable working height in the right way. LOADSRITE, the right way to load and unload ladders.

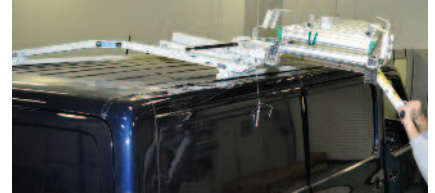


LCVLR-S61
Single LoadsRite, standard roof
LCVLR-S63
Double LoadsRite, standard roof

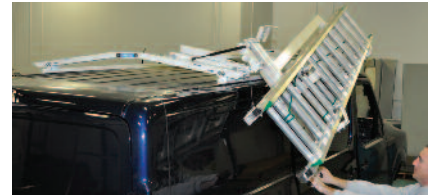
- Aluminum bed frame, cast aluminum grab handle, stainless steel latch and fasteners.
- Allows side and rear door access while in the up or down position.
- Ladders can be padlocked for security.
- Hydraulic speed damper gently lowers ladder bed.
- Steel-Cote™ diamond-hard powder coat finish-for quality.
- Easy operation from the side of the vehicle.
- There are no straps to deal with, clamping of ladder is automatic.
- Rear bed lowers to present ladder at a convenient position.



Easy Reach Handle



Glide-Out Bed Platform



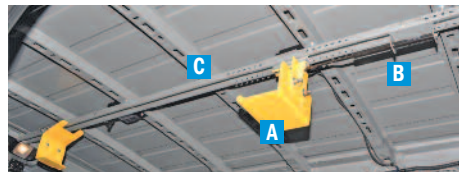
Hydraulic Load Assist

STORING LADDERS INSIDE YOUR NV IS EASY AS 1, 2, 3, WITH OUR LADDER KEEPER.

Keep your ladder off the floor and out of the elements. The Ladder Keeper features a spring-loaded clamp that holds the ladder securely in place. Just set the top of the ladder in the front clamp bracket and push it forward until the bottom of the ladder sits in the rear clamp bracket. Mounts to the ceiling of the NV and includes all parts needed to carry up to a 6' ladder. See the Ladder Keeper in action on-line at www.adriansteel.com.



LKLCV Ladder Keeper for Nissan NV



- A** Plastic coated clamps protect ladder rungs.
- B** Gas spring compresses ladder for quiet and secure transportation.
- C** Extruded track makes loading and unloading simple.



1 Simply press ladder inward to release rear ladder rung from the rear clamp bracket.



2 Walk the ladder back as the front clamp bracket glides on the track.



3 Remove top rung from the front clamp bracket and you're ready to go to the job site!

MAKE YOUR NISSAN NV EVEN MORE VERSATILE WITH ADRIAN STEEL UTILITY RACKS.

The Utility Rack features an all aluminum design that allows you to maximize the cargo capacity of the Nissan NV. It provides a flat surface to transport a sheet goods, ladders, conduit, lumber and more safely on the roof of your Nissan NV. Choose between black or white powder coat finish. The Nissan NV can accommodate 2-5 cross bars.



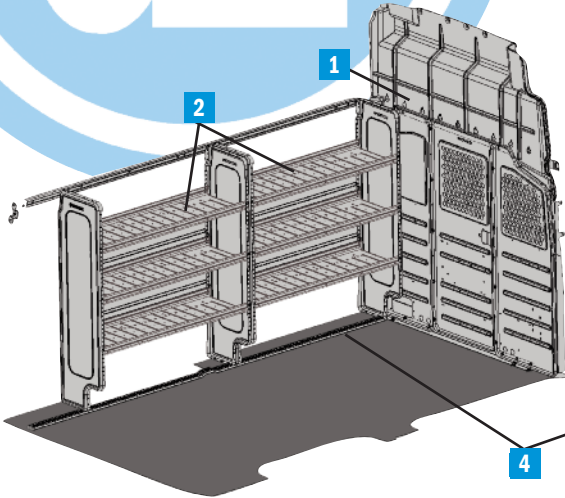
Utility Racks

Model	Description	Color
3BNLCV-B	3 Bar Utility Rack	Black
3BNLCV-W	3 Bar Utility Rack	White
2BNLCV-B	2 Bar Utility Rack	Black
2BNLCV-W	2 Bar Utility Rack	White
1BNLCV-B	1 Crossbar	Black
1BNLCV-W	1 Crossbar	White

BASE PLUS PACKAGES

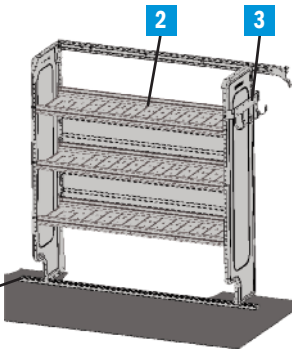
BASEPLUS MAKES IT EASY TO GET WHAT YOU NEED, WHERE YOU NEED IT!

Start with the Base Cargo Management System and add drawers, door kits, hooks, files and other trade specific equipment where you need it. The versatility of the ADseries shelving allows accessories to be added when and where you need them. Choose from the BASEPLUS packages on these pages or use them for ideas to design your own interior!



Cargo Management System

This base package features three adjustable, ADseries shelving units and a partition.

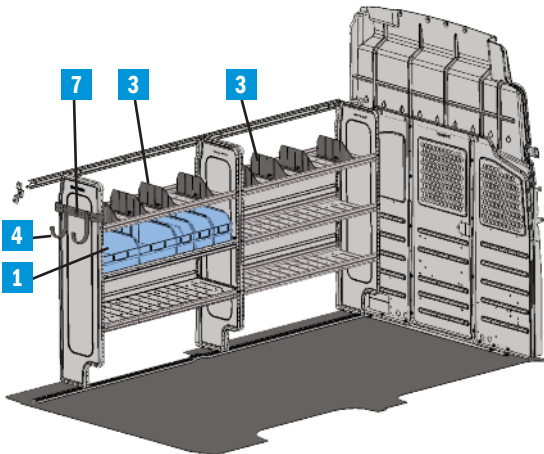


Base Cargo Management System:

4484 Standard Roof

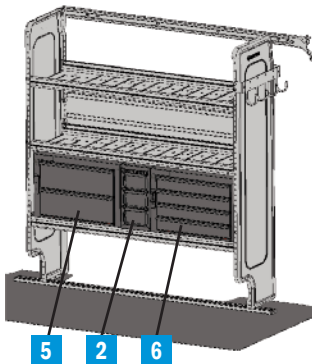
4519 High Roof

Item	Model	Description	Qty.
1	S1M2C2FSV	Partition	1
2	AD44LCV	ADseries Shelving Unit	3
3	TA1WAD	Four Hook Bar	1
4	RKLCV	Rail Kit	1



BASEPLUS General Service Package

This package features drawers for small parts storage, open shelving and removable bins for customizable storage. Hooks on the end panels for easy access to cords and tools from the rear doors.

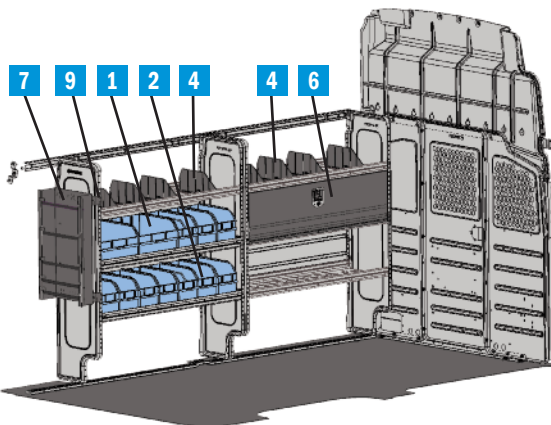


General Service Package:

4686NS Standard Roof

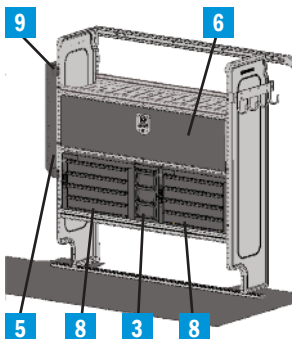
4686NH High Roof

Item	Model	Description	Qty.
Base Cargo Management System PLUS:			
1	BR36212	Parts Bin System (3-6", 2-12")	1
2	DC6	Drawer Component 6"	1
3	DV14C1	Divider	8
4	UH50	5" Hook	2
5	19	Two Drawer Medium	1
6	9	Four Drawer Shallow	1
7	BRK14EPS	End Panel Bracket	1



BASEPLUS Electrical Contractor Package

This package features drawers for small parts storage, divided shelving for organizing and locking door kits to for secure storage. Blue bins keep small parts organized and are removable to take to the jobsite.



Electrical Contractor Package:

4687NS Standard Roof

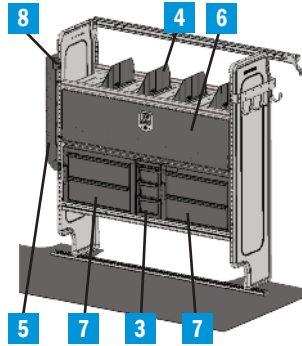
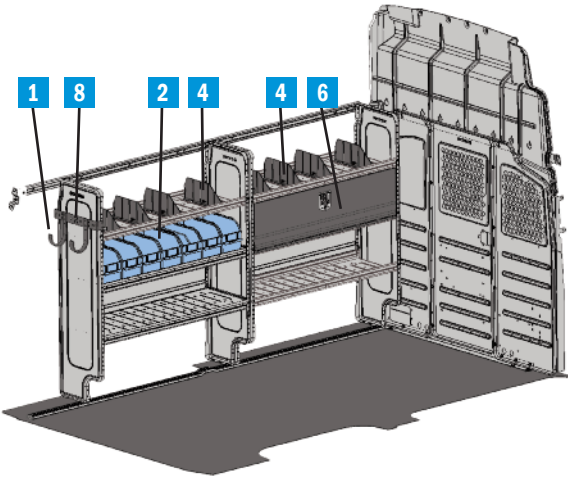
4687NH High Roof

Item	Model	Description	Qty.
Base Cargo Management System PLUS:			
1	BR36212	Parts Bin System (3-6", 2-12")	1
2	BR76012	Parts Bin System (7-6")	1
3	DC6	Drawer Component 6"	1
4	DV14C1	Divider	8
5	CB5	Five Slot Literature Rack	1
6	DK4210	Door Kit	2
7	WRH5	Wire Reel Holder	1
8	9	Four Drawer Shallow	2
9	BRK14EPS	End Panel Bracket	4

BASE PLUS PACKAGES

BASEPLUS Security Package

This package features drawers for small parts storage, divided shelving, locking door kits for security and removable blue bins. Hooks and a literature file are easily accessible from the side and rear doors.



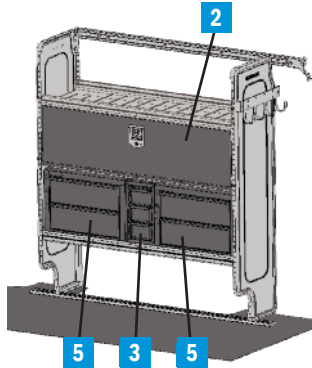
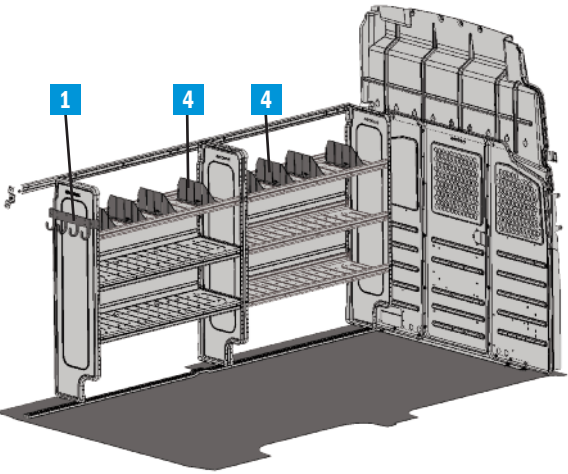
Security Package:

4688NS Standard Roof
4688NH High Roof

Item	Model	Description	Qty.
Base Cargo Management System PLUS:			
1	UH50	5" Hook	2
2	BR76012	Parts Bin System (7-6")	1
3	DC6	Drawer Component 6"	1
4	DV14C1	Divider	12
5	CB5	Five Slot Literature Rack	1
6	DK4210	Door Kit	2
7	19	Two Drawer Medium	2
8	BRK14EPS	End Panel Bracket	3

BASEPLUS Cable Package

This Cable TV package features ample adjustable shelving, drawers for small parts, and a locking door kit for security. Hooks make cords and cables easy to access from the rear doors.



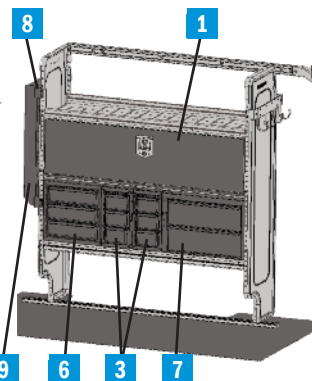
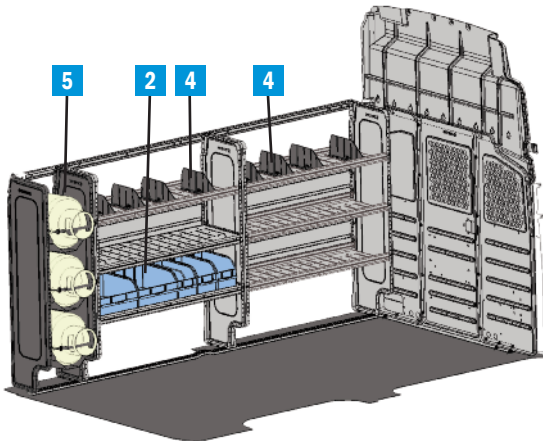
Cable Package:

4689NS Standard Roof
4689NH High Roof

Item	Model	Description	Qty.
Base Cargo Management System PLUS:			
1	TA1WAD	Four Hook Bar	1
2	DK4210	Door Kit	1
3	DC6	Drawer Component 6"	1
4	DV14C1	Divider	8
5	19	Two Drawer Medium	2

BASEPLUS HVAC Package

This HVAC package features ample open shelving for large parts and tools, and divided shelving for organizing a variety of cargo. A tank rack accommodates three 30 or 50lb. tanks, and drawer units organize small fittings and connectors.



HVAC Package:

4690NS Standard Roof
4690NH High Roof

Item	Model	Description	Qty.
Base Cargo Management System PLUS:			
1	DK4210	Door Kit	1
2	BR36212	Parts Bin System (3-6", 2-12")	1
3	DC6	Drawer Component 6"	2
4	DV14C1	Divider	8
5	TH51FP	3 Tank Rack	1
6	DC12	Drawer Component 12"	1
7	19	Two Drawer Medium	1
8	BRK14EPS	End Panel Bracket	2
9	CB5	Five Slot Literature Rack	1

ADRIAN STEEL COMPANY

QUALITY

- Adrian Steel is proud to be the first and only van equipment manufacturer to obtain TS16949 certification.
- Our products are durable and reliable. Warranty claims are less than 1% of sales.
- Our warranty covers our products for three years or 36,000 miles.

INNOVATIVE PRODUCTS WITH FEATURES THAT MATTER

- Drawers that stay closed while in transit.
- ADseries truly adjustable shelving.
- Bins that snap into place for transit, and easily remove to take to the jobsite.
- Interior ladder storage.
- Plug and Play accessories.
- Trade specific equipment, and much more!



COMMITMENT

- At Adrian Steel, we are committed to you beyond the upfit!
 - A dedicated Customer Care Team at corporate headquarters.
 - A network of highly qualified distributors to support you locally.
 - Our commitment to provide the best cargo management solutions in North America.

EXPERIENCE

- Millions of vehicles upfitted, and counting! It's a fact that an organized vehicle increases work flow efficiencies and reduces inventory damages.
- Recognized as a National Truck Equipment Association MVP.

SERVICE

- Adrian Steel Products can be purchased throughout North America at authorized Adrian Steel distributors.
- Adrian Steel Customer Service Representatives are available M-F, 8am - 5pm EST at **1-800-677-2726**.
- E-mail us at info@adriansteel.com with questions, comments and feedback.
- Visit AdrianSteel.com for the most up-to-date product information, distributor locator, product catalogs, videos and more.



**FIND THE SOLUTIONS YOU NEED AT YOUR
ADRIAN STEEL DISTRIBUTOR,
IN OUR CATALOGS AND ON-LINE AT
ADRIANSTEEL.COM/NISSAN.**



906 James Street, Adrian, Michigan 49221-3996
517-265-6194 Fax: 517-265-5834
Toll Free **800-677-2726**
adriansteel.com info@adriansteel.com